

1 SERIES

- **MINIATURE SCREW NON-GROUNDED LAMPHOLDERS**
- **6" WIRE LEADS**
- **BRASS SHELL IN BLACK POLYESTER HOUSING**
- **MAXIMUM RATINGS: 75 WATTS, 125 VOLTS**
- **UL RECOGNIZED • UL FILE E20356**

Overview

The 1 Series lampholders are constructed with a brass shell in a polyester housing. Lampholders are supplied with two 6" wire leads and are non-grounded. Many bracket and mounting options are available including a 15/16" mounting hole plug button and a threaded bushing for 13/32" mounting holes. Lampholders are designed for use with miniature screw lamps.

Specifications

Shell: brass.

Housing: black polyester. White also available.

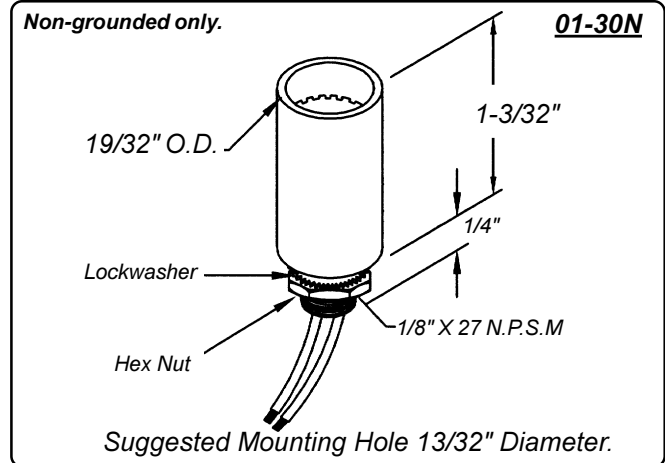
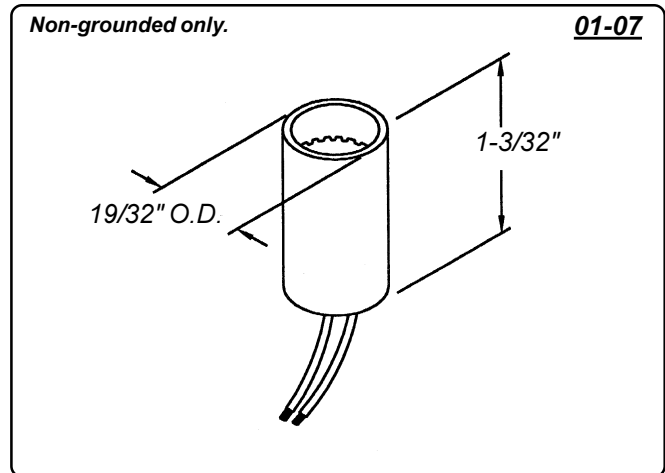
Wire leads: 6" **Leads:** #22 AWG, black, stranded copper, PVC insulated, UL/CSA rated 80°C, stripped 1/2". Non-grounded units are supplied with two wire leads. Custom wire lengths, stripping, termination and wire types are also available.

Mounting brackets: .025" to .032" zinc plated steel. Custom brackets and plating types are available.

Threaded bushing: for 13/32" diameter mounting hole. Supplied with lockwasher and hex nut.

Plug button: zinc plated steel for 15/16" hole.

Maximum rating: 75 Watts, 125 Volts.



Can't find it here? We have many more standard and custom solutions.

The items in this catalog are only a small representative sample of the complete LC&D-Leecraft product line. We manufacture many additional products which are not shown in this catalog due to space constraints.

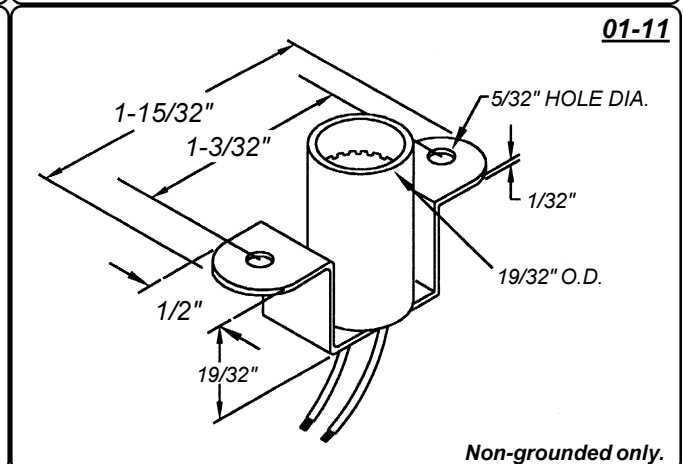
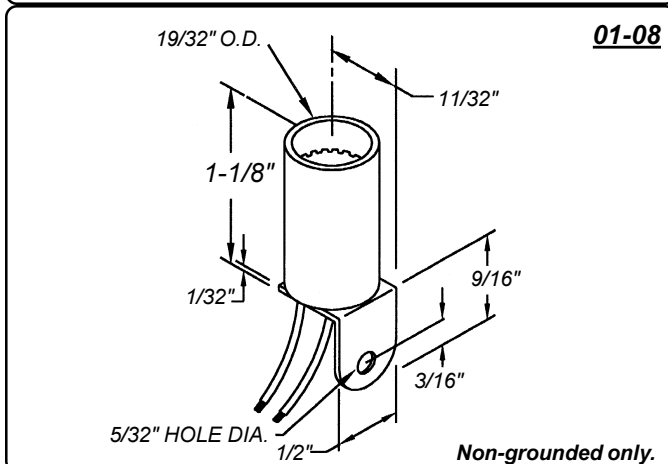
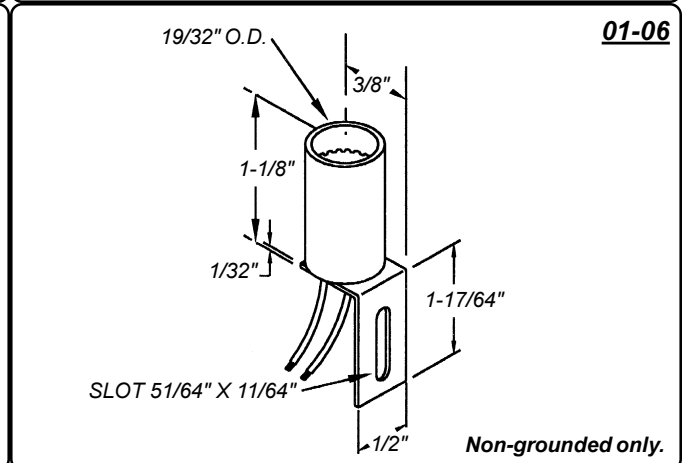
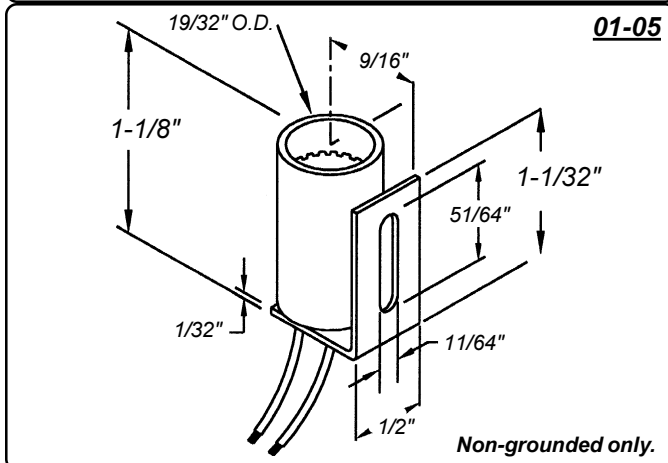
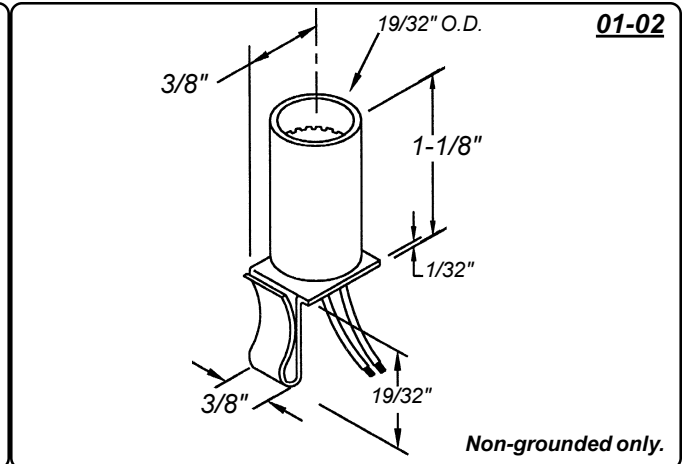
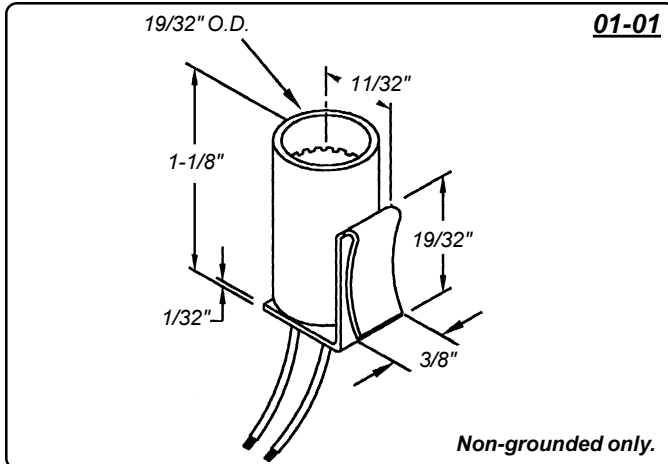
Custom products can also be designed uniquely for you by our Technical Support Professionals. Starting from your ideas and specifications, we work with your personnel to develop timely and cost effective solutions for your miniature lighting needs.

LC&D Technical Support Services are provided without charge, and may include designs, prototypes and pre-production samples.

For further information phone Customer Service at 954-425-0123 or complete the "Fast FAX Technical Support Inquiry" form located in the Appendix, page A-1.

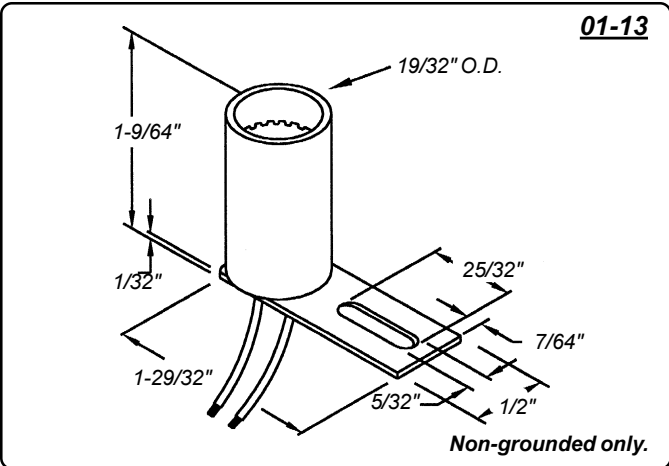
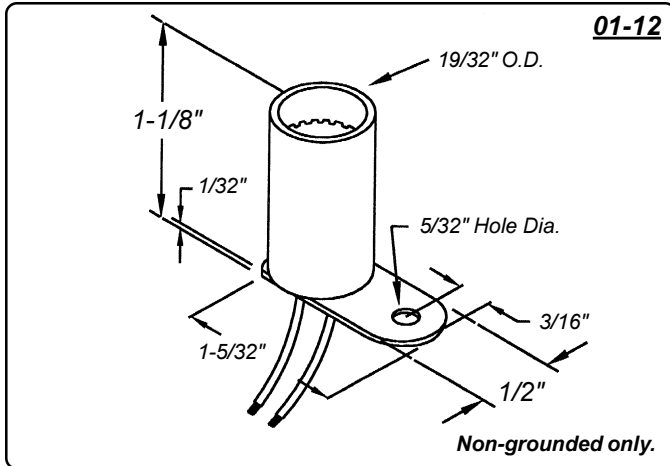
1 Series
UL Recognized • Non-Grounded
Maximum Rating: 75 Watts, 125 Volts

Brass Shell
Black Polyester Housing
6" Wire Leads



1 Series
UL Recognized • Non-Grounded
Maximum Rating: 75 Watts, 125 Volts

Brass Shell
Black Polyester Housing
6" Wire Leads



01-15
01-18
01-82

19/32" O.D.
1-1/8"
1/32"
"A"

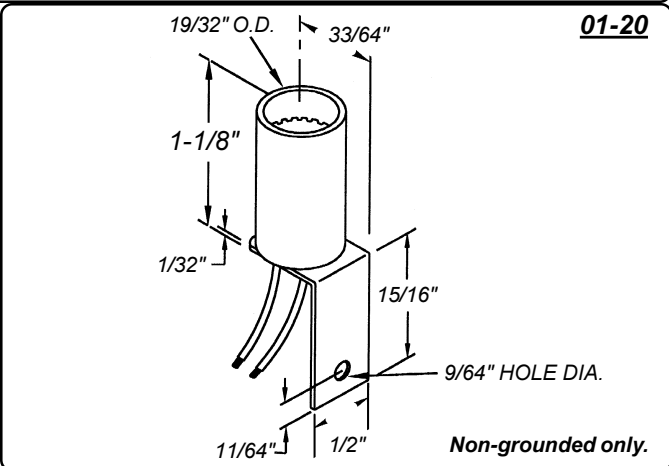
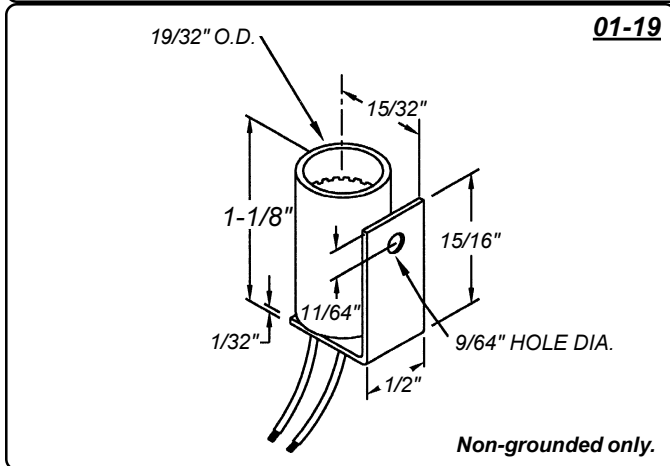
Mounting Hole Diagram

Bracket No.	"A" Dimension
-15	1-1/4"
-18	1-1/2"
-82	1"

13/16" 1" 9/64"

Maximum Panel Thickness .045"

Non-grounded only.



1 Series
UL Recognized • Non-Grounded
Maximum Rating: 75 Watts, 125 Volts

Brass Shell
Black Polyester Housing
6" Wire Leads

