

2 SERIES

- MINIATURE BAYONET NON-GROUNDED OR GROUNDED LAMPHOLDERS
- 6" WIRE LEADS • ELECTRO-TINNED PLATED STEEL SHELL
- VULCANIZED FIBER SLEEVE ON NON-GROUNDED UNITS
- MAXIMUM RATING: 75 WATTS, 125 VOLTS

Overview

The 2 Series lampholders are constructed with a electro-tinned plated steel shell and 6" wire leads. Lampholders can be supplied as either non-grounded or grounded units. Non-grounded units are supplied with an insulating gray vulcanized fiber sleeve and two wire leads. Grounded units are supplied with one wire lead. A separate ground wire is available upon request. Many bracket and mounting options are available including several 5/8" mounting hole plug buttons and a threaded bushing for 19/64" mounting holes. Lampholders are designed for use with miniature bayonet lamps.

Specifications

Shell: electro-tinned plated steel.

Sleeve: gray vulcanized fiber sleeve supplied with non-grounded lampholders.

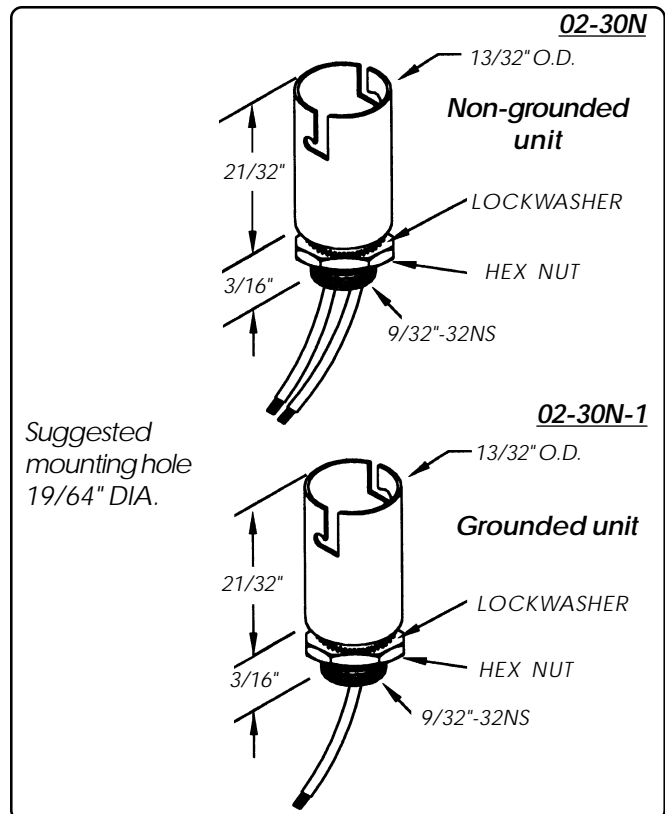
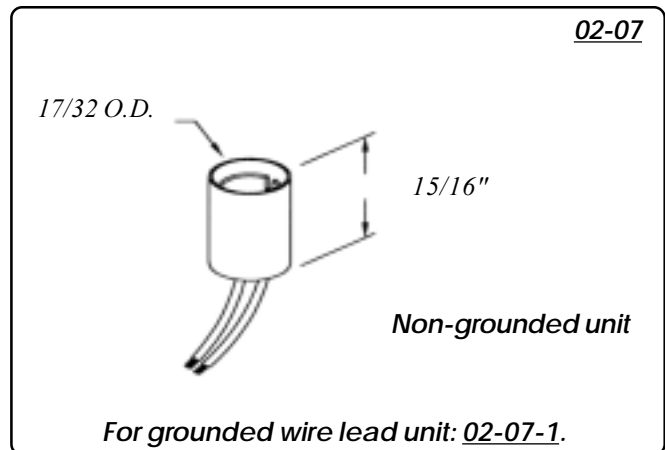
Wire leads: 6" Leads: #22 AWG, black & white, tinned copper with overcoat, PVC insulated, UL/CSA rated 80°C, stripped 1/2". Non-grounded units are supplied with two 6" wire leads. Grounded units are supplied with one black 6" wire lead. Custom wire lengths, stripping, termination and wire types are also available.

Mounting brackets: .025" to .032" zinc plated steel. Custom brackets and plating types are available.

Threaded bushing: for 19/64" diameter mounting hole. Supplied with lockwasher and hex nut.

Plug buttons: zinc-plated steel for 5/8" mounting hole.

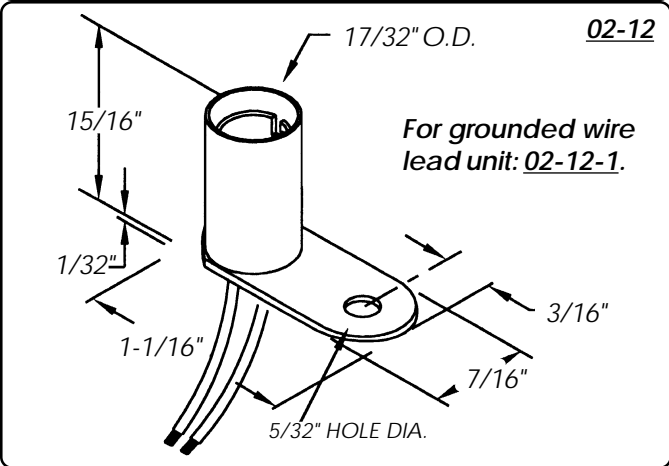
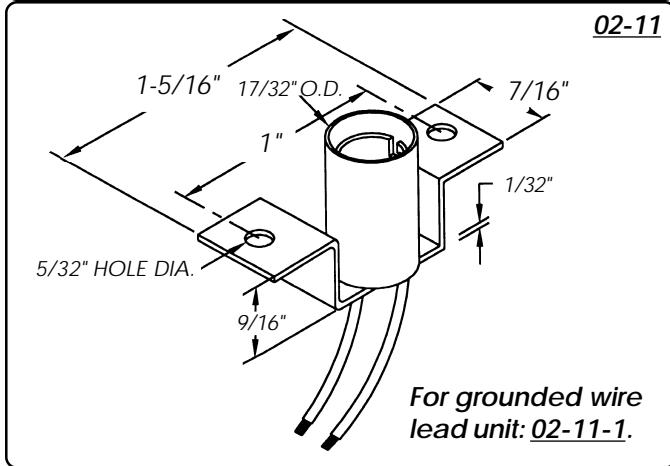
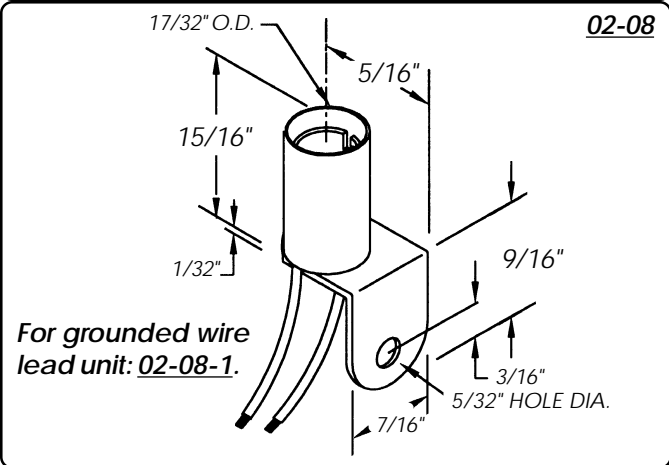
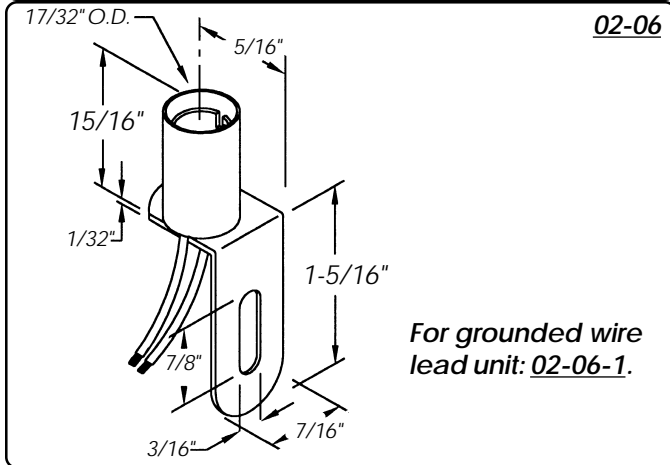
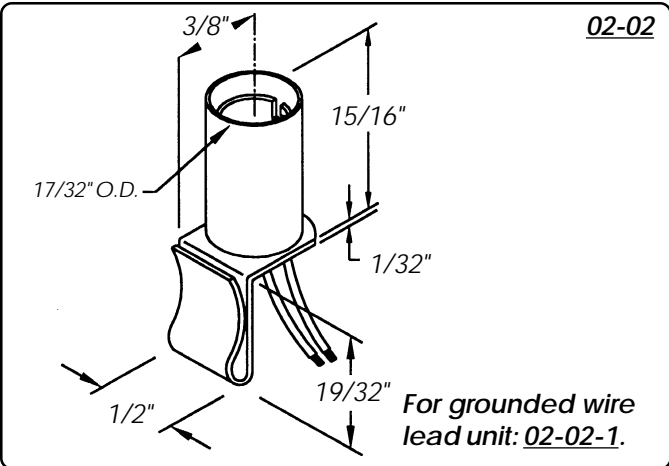
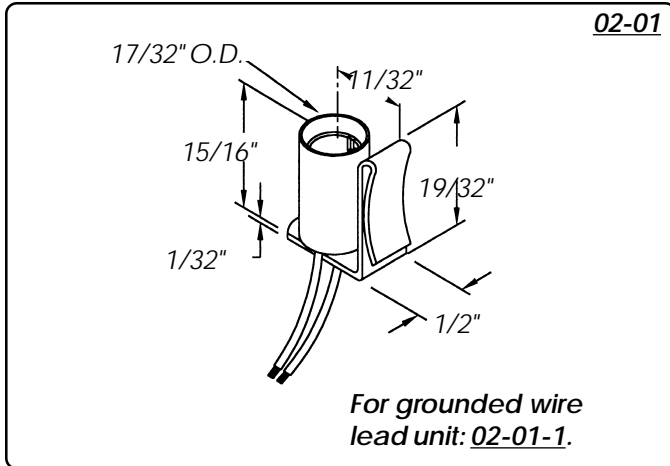
Maximum rating: 75 Watts, 125 Volts.



2 Series
Maximum Rating: 75 Watts, 125 Volts
Non-Grounded or Grounded Units

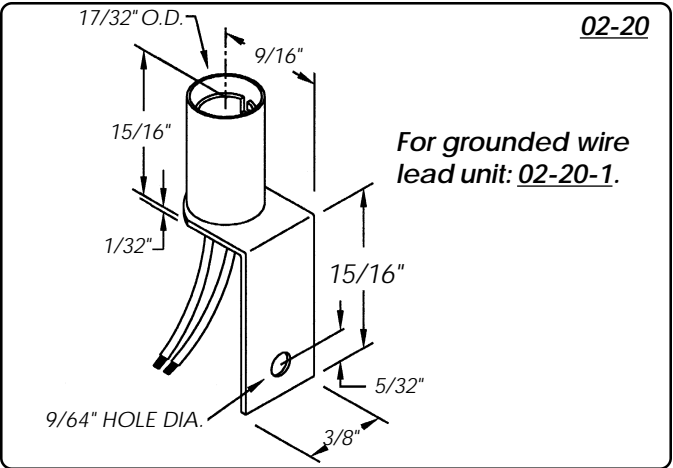
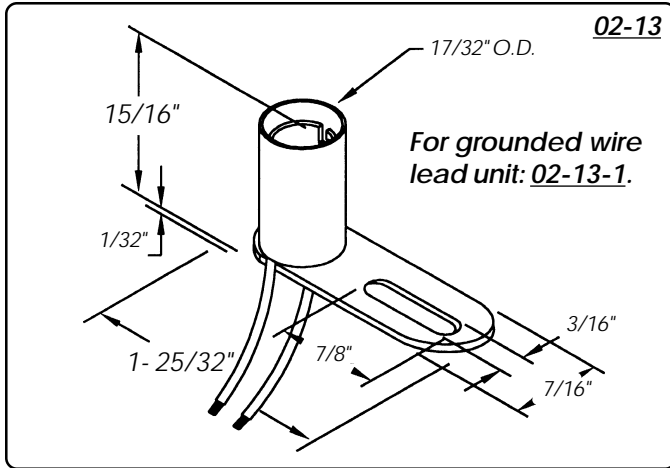
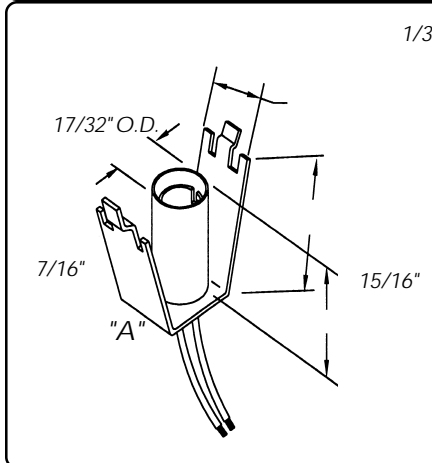
Electro-Tinned Plated Steel Shell
6" Wire Leads
(Non-Grounded Units Have Fiber Sleeve)

Lampholders



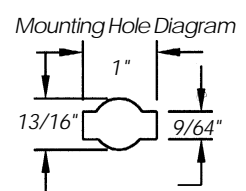
2 Series
Maximum Rating: 75 Watts, 125 Volts
Non-Grounded or Grounded Units

Electro-Tinned Plated Steel Shell
6" Wire Leads
(Non-Grounded Units Have Fiber Sleeve)

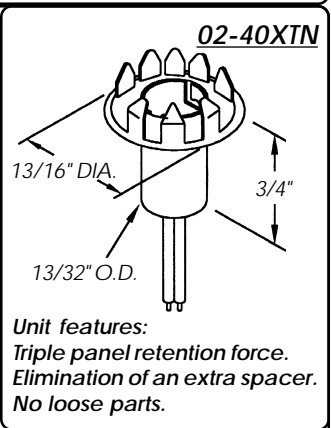
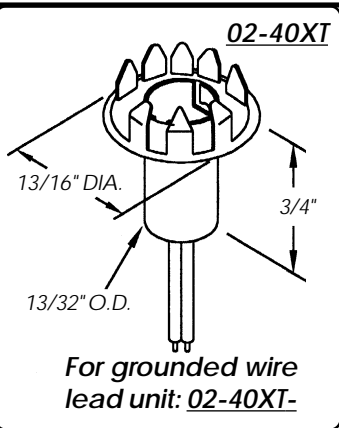
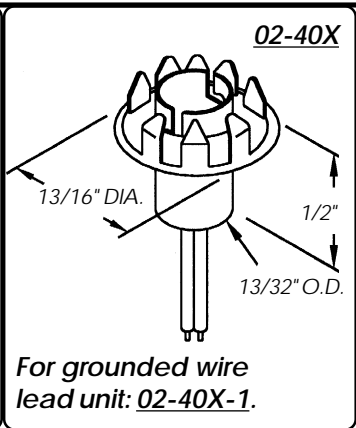
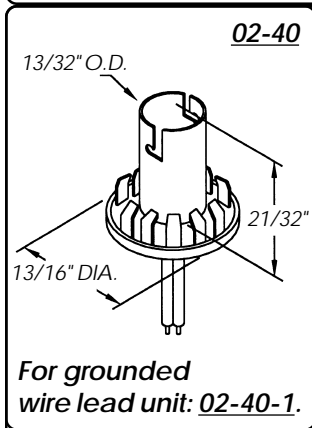
Bracket No.	"A" Dimension
-14	7/8"
-15	1-1/4"
-18	1-1/2"
-82	1"

Maximum Panel Thickness .045"



02-14
02-15
02-18
02-82

For grounded wire lead units:
02-14-1, 02-15-1, 02-18-1, 02-82-1.



Plug buttons: zinc-plated steel, for 5/8" hole with panel thickness range 1/16" to 3/32".