

## 6 SERIES

- CANDELABRA SCREW NON-GROUNDED AND GROUNDED LAMPHOLDERS
- SOLDER LUG TERMINALS OR PRINTED CIRCUIT BOARD TERMINALS
- NICKEL PLATED BRASS SHELL
- MAXIMUM RATING: 75 WATTS, 125 VOLTS

### Overview

The 6 Series lampholders are constructed with a nickel-plated brass shell and tinned solder lug or printed circuit board terminals. Lampholders can be supplied as either non-grounded or grounded units. Non-grounded units are supplied with two tinned solder lugs or two printed circuit board terminals. Grounded units with one solder lug terminal, unless otherwise noted. Many bracket and mounting options are available. Lampholders are designed for use with candelabra screw lamps.

### Specifications

**Shell:** nickel plated brass. Non-grounded units may be customized with an insulating gray vulcanized fiber sleeve.

#### Terminals:

**Solder lug:** solder coated steel, 0.250" length x 0.020" thick, 60°-90° apart with two wire holes 3/32" in diameter. Non-grounded units are supplied with two terminals. Grounded units are supplied with one terminal.

**Printed circuit board terminals:** electro tinned steel.

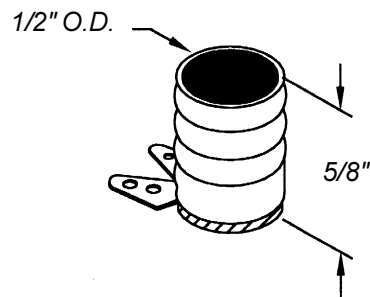
#### Mounting:

**Brackets:** 0.025" to 0.032" zinc plated steel. Custom brackets and plating types are available.

**Maximum rating:** 75 Watts, 125 Volts.

#### Non-grounded unit

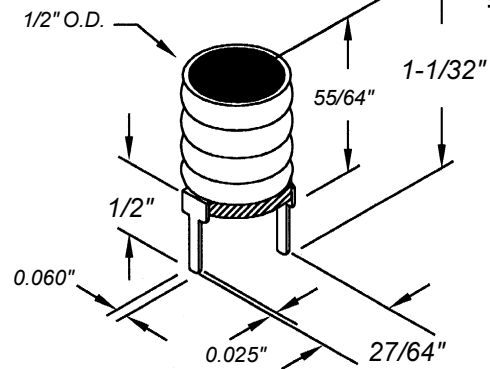
06-07



For grounded unit: 06-07-1.

#### Non-grounded only.

06-35



Designed for mounting on a printed circuit board with two 0.070" holes spaced 0.375" apart.

#### Can't find it here? We have many more standard and custom solutions.

The items in this catalog are only a small representative sample of the complete LC&D-Leecraft product line. We manufacture many additional products which are not shown in this catalog due to space constraints.

Custom products can also be designed uniquely for you by our Technical Support Professionals. Starting from your ideas and specifications, we work with your personnel to develop timely and cost effective solutions for your miniature lighting needs.

LC&D Technical Support Services are provided without charge, and may include designs, prototypes and pre-production samples.

For further information phone Customer Service at 954-425-0123 or complete the "Fast FAX Technical Support Inquiry" form located in the Appendix, page A-1.

**6 Series**

**Maximum Rating: 75 Watts, 125 Volts  
Non-Grounded or Grounded**

**Nickel Plated Brass Shell  
Solder Lug Terminals or  
Printed Circuit Board Terminals**

