

## 10 SERIES

- SINGLE CONTACT CANDELABRA BAYONET LAMPHOLDERS
- NON-GROUNDED OR GROUNDED LAMPHOLDERS
- SOLDER LUG TERMINALS OR PRINTED CIRCUIT BOARD TERMINALS
- ZINC PLATED STEEL SHELL
- MAXIMUM RATING: 10 WATTS, 50 VOLTS

### Overview

The 10 Series lampholders are constructed with a zinc plated steel shell and tinned solder lug or printed circuit board terminals. Lampholders can be supplied as either non-grounded or grounded units. Non-grounded units are supplied with two tinned solder lug terminals or two printed circuit board terminals. Grounded units are supplied with one tinned solder lug terminal, unless otherwise noted. Many bracket and mounting options are available. Lampholders are designed for use in low voltage applications with single contact candelabra bayonet lamps.

### Specifications

**Shell:** zinc plated steel.

#### Terminals:

**Solder lug:** solder coated steel, 0.250" length x 0.020" thick, 60°- 90° apart with two wire holes 3/32" in diameter. Non-grounded units are supplied with two terminals. Grounded units are supplied with one terminal.

**PC solder terminals:** electro tinned steel.

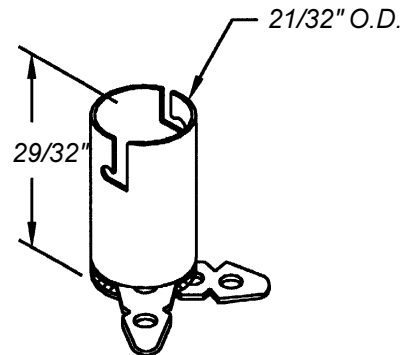
#### Mounting:

**Brackets:** 0.025" to 0.032" zinc plated steel. Custom brackets and plating types are available.

**Maximum rating:** 10 Watts, 50 Volts.

Non-grounded unit

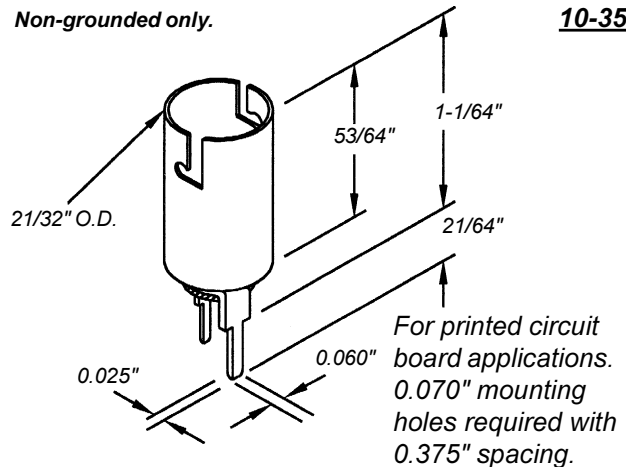
10-07



For grounded unit: 10-07-1.

Non-grounded only.

10-35



### Can't find it here? We have many more standard and custom solutions.

The items in this catalog are only a small representative sample of the complete LC&D-Leecraft product line. We manufacture many additional products which are not shown in this catalog due to space constraints.

Custom products can also be designed uniquely for you by our Technical Support Professionals. Starting from your ideas and specifications, we work with your personnel to develop timely and cost effective solutions for your miniature lighting needs.

LC&D Technical Support Services are provided without charge, and may include designs, prototypes and pre-production samples.

For further information phone Customer Service at 954-425-0123 or complete the "Fast FAX Technical Support Inquiry" form located in the Appendix, page A-1.

**10 Series**  
**Maximum Rating: 10 Watts, 50 Volts**  
**Non-Grounded or Grounded**

**Zinc Plated Steel Shell**  
**Solder Lug Terminals or**  
**Printed Circuit Board Terminals**

Lampholders

