

21 SERIES

- T-2 1/4 HALOGEN CYCLE WEDGE BASE NON-GROUNDED LAMPHOLDERS
- 6" WIRE LEADS OR 0.110" TAB TERMINALS
- CERAMIC HOUSING • SPRING STEEL CONTACTS
- MAXIMUM RATING: 50 WATTS, 14 VOLTS

Overview

The 21 Series lampholders are constructed with a high heat resistant ceramic housing and spring steel contacts for resistance to corrosion and high temperature. Standard units feature an eyeletted housing with a clearance hole through the eyelet to accept a #0 screw. A bolt & nut unit version is also available. Lampholders are supplied with or without mounting brackets with two 0.110" tab terminals or two 6" wire leads. Lampholders are designed for use in low voltage applications with T-2-1/4 wedge base halogen lamps.

Specifications

Housing: ceramic.

Contacts: spring steel.

Wire leads:

6" leads: #18 AWG, white, UL3135, UL/CSA rated 200° C, stripped 1/2". Non-grounded units are supplied with two 6" wire leads. Custom wire lengths, stripping, termination and wire types are also available.

Terminals:

0.110" Tab : steel, 0.110" length x 0.010" thick. Non-grounded units are supplied with two 0.110" tab terminals.

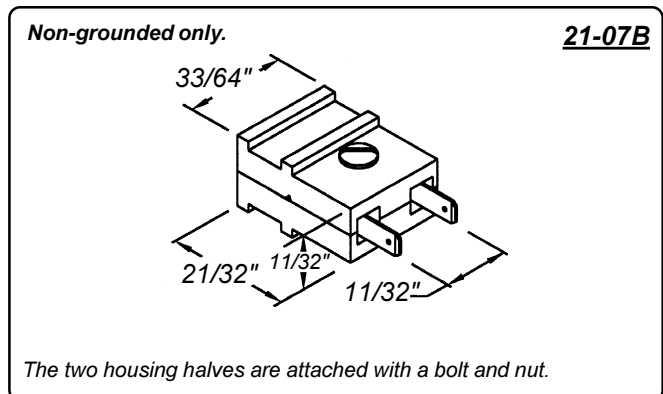
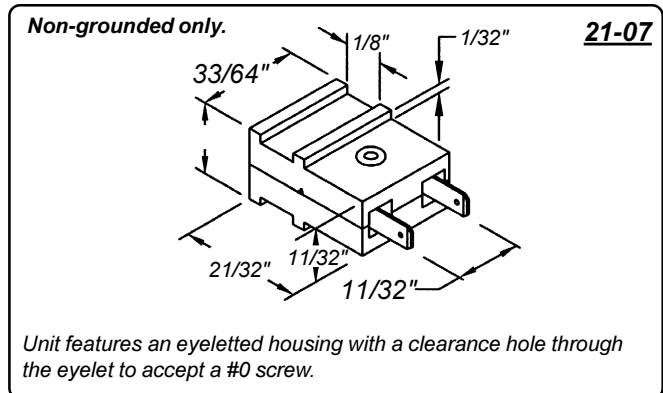
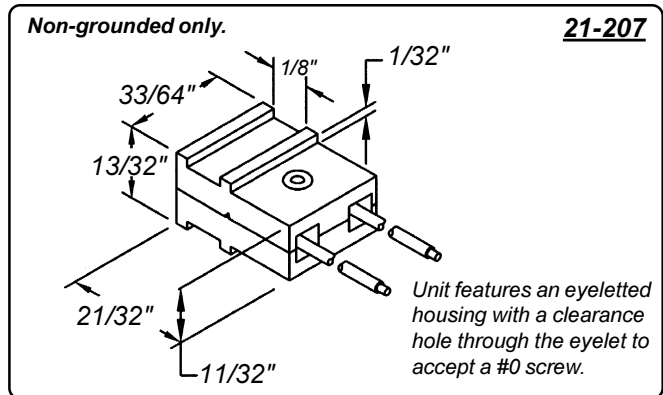
Mounting:

Brackets: 0.025" to 0.032" zinc plated steel. Custom brackets and plating types are also available.

Maximum rating: 50 Watts, 14 Volts.

Can't find it here? We have many more standard and custom solutions.

For information phone Customer Service at 954-425-0123 or complete the "Fast FAX" form on Appendix, page A-1.



21 Series • Non-Grounded
Maximum Rating: 50 Watts, 14 Volts
Spring Steel Contacts

Ceramic Housing
6" Wire Leads or
0.110" Tab Terminals

