

27V SERIES

- HALOGEN CYCLE LOW VOLTAGE G4 BI-PIN NON-GROUNDED LAMPHOLDERS
- BLACK POLYESTER HOUSING • STAINLESS STEEL CONTACTS
- 6" WIRE LEADS
- MAXIMUM RATING: 12 WATTS, 12 VOLTS
- UL RECOGNIZED • UL FILE E20356

Overview

The 27V Series lampholders are supplied with a polyester housing and two 6" wire leads. Standard units feature an eyeletted housing with a clearance hole through the eyelet to accept a #1 screw. Lampholders are non-grounded and are designed for use in low voltage halogen lamp applications that use G4 halogen cycle bi-pin lamps.

Specifications

Housing: black polyester.

Contacts: stainless steel.

Wire leads:

6" leads: #18 AWG, black, PVC insulation, UL1015, UL/CSA rated 105°C, stripped 1/2". Non-grounded units are supplied with two 6" wire leads. Custom wire lengths, stripping, termination and wire types are also available.

Mounting:

Brackets: .025" to .032" zinc-plated steel. Custom brackets and plating types are available.

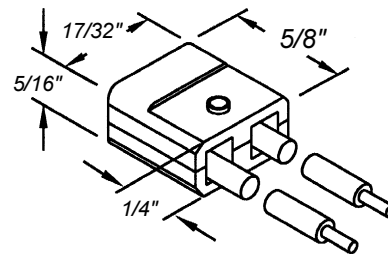
Maximum rating: 12 Watts, 12 Volts.

Can't find it here? We have many more standard and custom solutions.

For information phone Customer Service at 954-425-0123 or complete the "Fast FAX" form on Appendix, page A-1.

Non-grounded only.

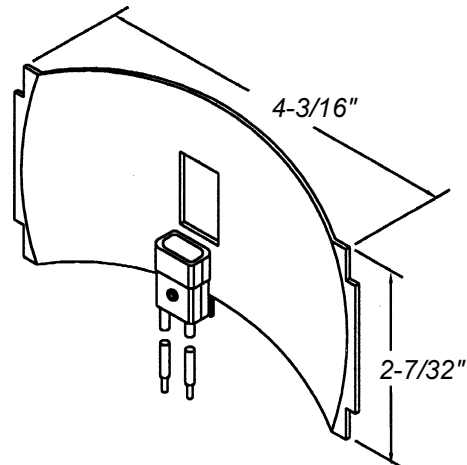
27V-207



Unit features an eyeletted housing with a clearance hole through the eyelet to accept a #1 screw.

Non-grounded only.

27V-RECPAR



Reflector Material:
Vacuum Metalized Steel.

27V Series
Maximum Rating: 12 Watts, 12 Volts
UL Recognized • Non-Grounded

Black Polyester Housing
Stainless Steel Contacts
6" Wire Leads

