

29 SERIES SNAP LITES

- REAR MOUNT SNAPFIT INDICATOR LIGHTS FOR 1/2" DIA. MOUNTING HOLE
- 6" WIRE LEADS OR 1/4" TAB TERMINALS
- LED, NEON OR INCANDESCENT LIGHT SOURCES
- 2 TO 250 DESIGN VOLTS • VARIETY OF LENS COLORS
- UL AND CSA LISTED • UL FILE E20356 • CSA FILE LR15284-11

Overview

The 29 Series Snap Lite Indicators mount from the rear and lock firmly into place to provide fast and simple product assembly. An innovative release mechanism allows simple insertion and removal from the rear. Suggested mounting hole is 1/2" (12.7mm) diameter with a recommended panel thickness range from 0.020" minimum to 0.070" maximum.

Specifications

Housing: white nylon. A black housing is available.

Lens: polycarbonate.

Incandescent AC or DC voltage options: 6, 14 and 28 volts.

Neon AC or DC voltage options: 125 and 250 volts.
Note: high brightness green and blue neon lamps supplied in green and blue neon applications.

LED DC voltage options: 2, 6, 12, 24 volts.

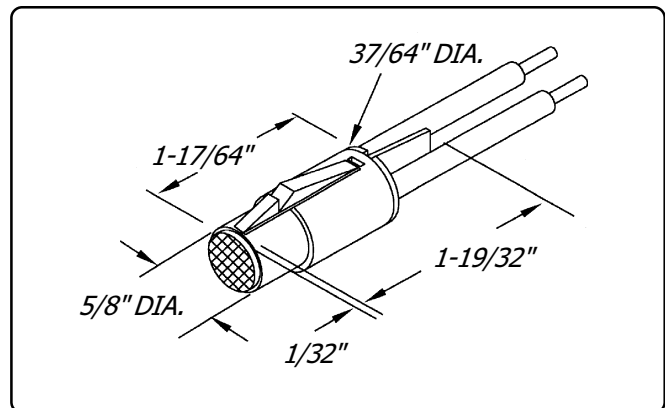
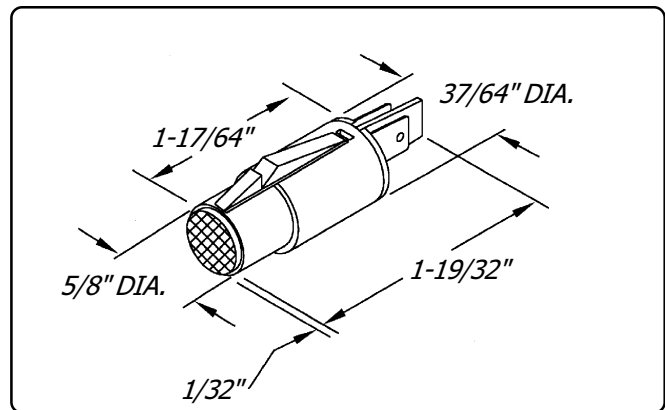
LED AC voltage options: 125 volts.

Note: 125 volts AC units contain a bi-polar LED.

Two 6" wire leads: #20 AWG, black, bare copper, PVC insulated, UL/CSA rated 105° C, 600 V, UL style 1015, stripped 1/2". For DC LED units, wire leads are color-coded red and black; the red wire lead denotes the anode (+) while a black wire lead identifies the cathode (-). For AC LED units, wire leads are white. Custom wire lengths, stripping, termination and wire types are available.

Terminals:

1/4" tabs: brass, (1/4" length x 0.031" thick). LED units are supplied with a tin-plated tab terminal to denote the anode (+).

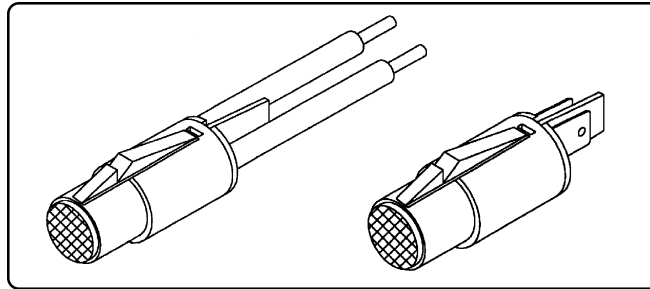


Can't find it here? We have many more standard and custom solutions.

For information phone Customer Service at 954-425-0123 or complete the "Fast FAX" form on Appendix, page A-1.

**SNAPFIT INDICATOR LIGHTS
FOR 1/2" DIA. MOUNTING HOLE**

**29 Series
Snap Lites
Rear Mount
Neon or
Incandescent
6 to 250 Design Volts**

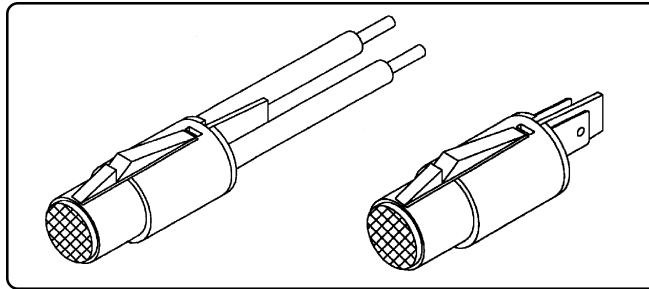


**6" Wire Leads or
1/4" Tab Terminals
Variety of
Lens Colors
SnapFit
1/2" Mounting Hole**

Part Number 6" Wire Leads	Part Number 1/4" Tab Terminals	Lens Color	Lamp Type	Design Volts	Design Watts or Amps	Life (hrs)
29-2431	29-2431T	Red	Neon	125	1/3W	25,000
29H-2431	29H-2431T	Red	Neon	250	1/3W	25,000
29G1-2431	29G1-2431T	Red	Incandescent	6	.20A	5,000
29G3-2431	29G3-2431T	Red	Incandescent	14	.10A	10,000
29G18-2431	29G18-2431T	Red	Incandescent	28	.04A	7,000
29-2432	29-2432T	Green	Neon	125	1/3W	25,000
29H-2432	29H-2432T	Green	Neon	250	1/3W	25,000
29G1-2432	29G1-2432T	Green	Incandescent	6	.20A	5,000
29G3-2432	29G3-2432T	Green	Incandescent	14	.10A	10,000
29G18-2432	29G18-2432T	Green	Incandescent	28	.04A	7,000
29-2433	29-2433T	Amber	Neon	125	1/3W	25,000
29H-2433	29H-2433T	Amber	Neon	250	1/3W	25,000
29G1-2433	29G1-2433T	Amber	Incandescent	6	.20A	5,000
29G3-2433	29G3-2433T	Amber	Incandescent	14	.10A	10,000
29G18-2433	29G18-2433T	Amber	Incandescent	28	.04A	7,000
29-2434	29-2434T	Blue	Neon	125	1/3W	25,000
29H-2434	29H-2434T	Blue	Neon	250	1/3W	25,000
29G1-2434	29G1-2434T	Blue	Incandescent	6	.20A	5,000
29G3-2434	29G3-2434T	Blue	Incandescent	14	.10A	10,000
29G18-2434	29G18-2434T	Blue	Incandescent	28	.04A	7,000
29-2435	29-2435T	White	Neon	125	1/3W	25,000
29H-2435	29H-2435T	White	Neon	250	1/3W	25,000
29G1-2435	29G1-2435T	White	Incandescent	6	.20A	5,000
29G3-2435	29G3-2435T	White	Incandescent	14	.10A	10,000
29G18-2435	29G18-2435T	White	Incandescent	28	.04A	7,000
29-2437	29-2437T	Clear	Neon	125	1/3W	25,000
29H-2437	29H-2437T	Clear	Neon	250	1/3W	25,000
29G1-2437	29G1-2437T	Clear	Incandescent	6	.20A	5,000
29G3-2437	29G3-2437T	Clear	Incandescent	14	.10A	10,000
29G18-2437	29G18-2437T	Clear	Incandescent	28	.04A	7,000

Indicator Lights

**L29 Series
Snap Lites
LED Indicator Lights
2 to 125 Design Volts**



**6" Wire Leads or
1/4" Tab Terminals
Variety of
Lens Colors**

Part Number	Lens Color	Termination	Lamp Type	DC Design Volts * AC Design Volts
L29-A2-2433	Amber	6" Wire Leads	LED	2
L29-A6-2433	Amber	6" Wire Leads	LED	6
L29-A12-2433	Amber	6" Wire Leads	LED	12
L29-A24-2433	Amber	6" Wire Leads	LED	24
L29-A125-2433	Amber	6" Wire Leads	LED	125 *
L29-G2-2432	Green	6" Wire Leads	LED	2
L29-G6-2432	Green	6" Wire Leads	LED	6
L29-G12-2432	Green	6" Wire Leads	LED	12
L29-G24-2432	Green	6" Wire Leads	LED	24
L29-G125-2432	Green	6" Wire Leads	LED	125 *
L29-R2-2431	Red	6" Wire Leads	LED	2
L29-R6-2431	Red	6" Wire Leads	LED	6
L29-R12-2431	Red	6" Wire Leads	LED	12
L29-R24-2431	Red	6" Wire Leads	LED	24
L29-R125-2431	Red	6" Wire Leads	LED	125 *
L29-A2-2433T	Amber	1/4" Tab Terminals	LED	2
L29-A6-2433T	Amber	1/4" Tab Terminals	LED	6
L29-A12-2433T	Amber	1/4" Tab Terminals	LED	12
L29-A24-2431	Amber	1/4" Tab Terminals	LED	24
L29-G2-2432T	Green	1/4" Tab Terminals	LED	2
L29-G6-2432T	Green	1/4" Tab Terminals	LED	6
L29-G12-2432T	Green	1/4" Tab Terminals	LED	12
L29-G24-2432T	Green	1/4" Tab Terminals	LED	24
L29-R2-2431T	Red	1/4" Tab Terminals	LED	2
L29-R6-2431T	Red	1/4" Tab Terminals	LED	6
L29-R12-2431T	Red	1/4" Tab Terminals	LED	12
L29-R24-2431T	Red	1/4" Tab Terminals	LED	24

Polarity Determination - Wire Leads: Red wire lead denotes anode (+); black wire lead denotes cathode (-).
Terminals: One terminal is tin-plated to denote anode (+); unplated terminal refers to cathode (-).