

38 SERIES

- HALOGEN CYCLE G6.35 OR GY6.35 BI-PIN NON-GROUNDED LAMP HOLDERS
- 6" WIRE LEADS OR 0.110" TAB TERMINALS
- HEAT RESISTANT CERAMIC HOUSING
- MAXIMUM RATING: 50 WATTS, 12 VOLTS
- UL RECOGNIZED • UL FILE E20356

Overview

The 38 Series lampholders are constructed with a high heat resistant ceramic housing and two 6" wire leads or two 0.110" tab terminals. Lampholders feature an eyeletted housing with a clearance hole through the eyelet to accept a #1 screw. Units are non-grounded and are supplied with or without mounting brackets and are designed for use with G6.35 or GY6.35 bi-pin halogen lamps.

Specifications

Housing: ceramic.

Contacts: stainless steel.

Wire leads:

6" Leads: #18 AWG, white, UL3135, UL/CSA rated 200° C, stripped 1/2". Non-grounded units are supplied with two terminals. Custom wire lengths, stripping, termination and wire types are available.

Terminals:

0.110" tabs: bright electro tinned stainless steel, 0.110" length x 0.018" thick.

Mounting:

Brackets: .025" to .032" zinc plated steel. Custom brackets and plating types are available.

Maximum rating: 50 Watts, 12 Volts.

Can't find it here? We have many more standard and custom solutions.

For information phone Customer Service at 954-425-0123 or complete the "Fast FAX" form on Appendix, page A-1.

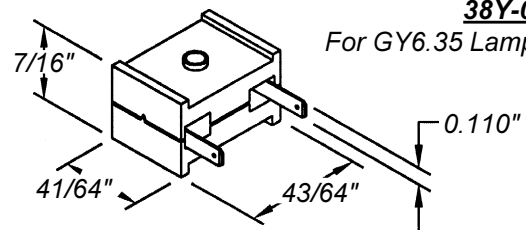
Non-grounded only.

38-07

For G6.35 Lamps

38Y-07

For GY6.35 Lamps



Unit features an eyeletted housing with a clearance hole through the eyelet to accept a #1 screw.

For wire leads:

For G6.35 lamps: **38-207.**

For GY6.35 lamps: **38Y-207.**

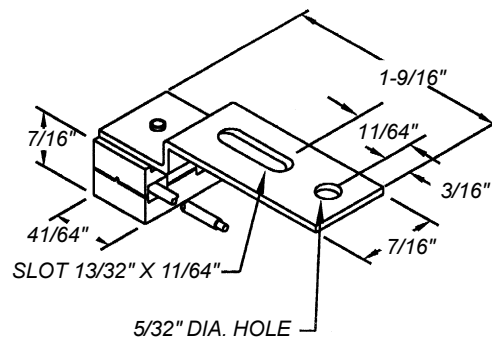
Non-grounded only.

38-274

For G6.35 Lamps

38Y-274

For GY6.35 Lamps



For 0.110" tab terminals:

For G6.35 lamps: **38-74.**

For GY6.35 lamps: **38Y-74.**