

## 46 SERIES

- PRESSFIT NEON, LED & INCANDESCENT INDICATOR LIGHTS
- 5/16" DIA. MOUNTING HOLE
- 6 TO 250 DESIGN VOLTS • VARIETY OF LENS COLORS • SPEEDNUT
- 0.040" DIA. PIN TERMINALS MOUNTS INTO PC BOARD OR FEMALE SOCKET
- UL RECOGNIZED • UL FILE E20356

### Overview

The 46 Series Indicators feature a wide variety of lens colors and bezel variations. Indicators are designed with .040" (1.01mm) diameter pin terminals for direct mounting on PC Board or Female Socket. Pins are .020" (.50mm) off center for keying. Indicators mount into a 5/16" (7.93mm) mounting hole with a recommended panel thickness of 0.020" minimum. A speed nut, part number **8700071688**, is supplied.

### Specifications

**Housing:** white nylon. A black housing is available.

**Lens:** polycarbonate.

**Bezel:** zinc plated brass. A black anodized bezel is available.

**Incandescent AC or DC voltage options:** 6, 14 and 28 volts.

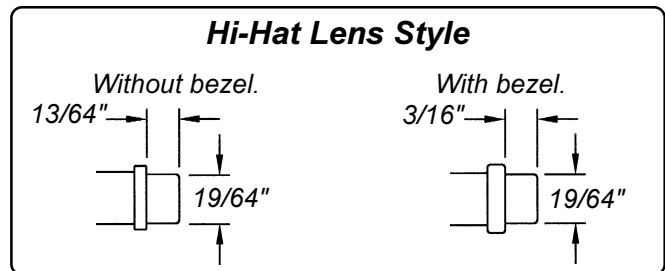
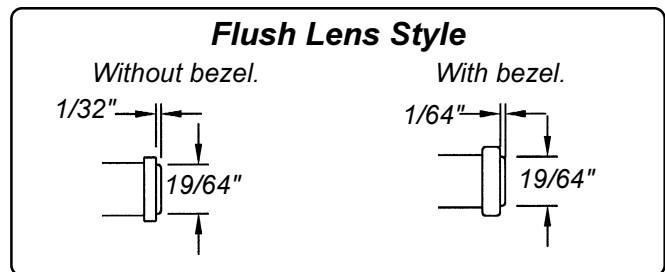
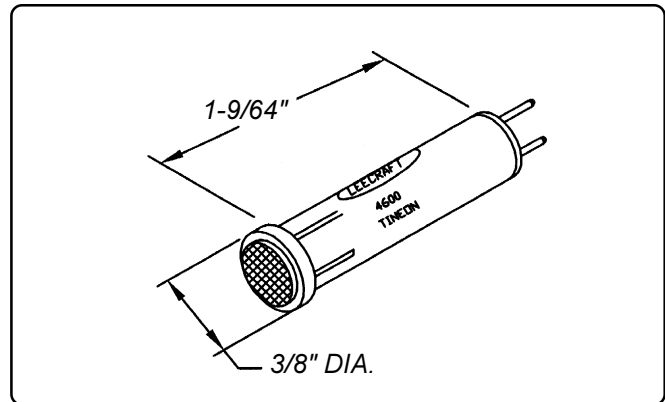
**Neon AC or DC voltage options:** 125 and 250 volts.

**Note:** high brightness green and blue neon lamps supplied in green and blue neon applications.

**LED DC voltage options:** 2, 6, 12, or 24 volts.

**Terminals:**

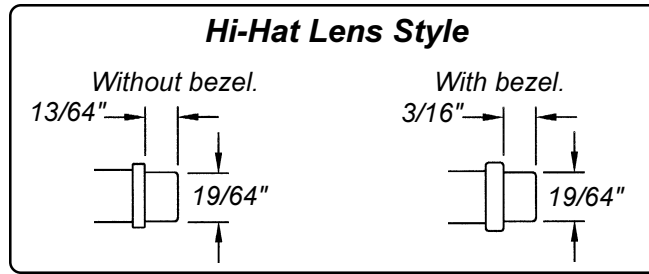
**Pin terminals:** 0.040" (1.01mm) diameter, 0.020" (.50mm) off center for keying. For LED units, a tin plated terminal denotes the anode (+).



**Can't find it here? We have many more standard and custom solutions.**

For information phone Customer Service at 954-425-0123 or complete the "Fast FAX" form on Appendix, page A-1.

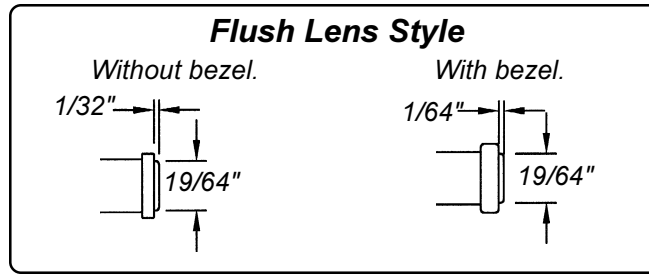
**46 Series  
Optional  
Zinc Plated Bezel  
6 to 250 Design Volts  
Neon or  
Incandescent**



**0.040" Pin Terminals  
Hi-Hat Lens  
Variety of  
Lens Colors  
White Housing  
Speednut**

Part Number Without Bezel	Part Number With Zinc Plated Bezel	Lens Color	Lamp Type	Design Volts	Design Watts or Amps	Life (hrs)
46N-2111	46RN-2111	Red	Neon	125	1/3W	25,000
46HN-2111	46HRN-2111	Red	Neon	250	1/3W	25,000
46NG1-2111	46RNG1-2111	Red	Incandescent	6	.20A	5,000
46NG3-2111	46RNG3-2111	Red	Incandescent	14	.10A	10,000
46NG18-2111	46RNG18-2111	Red	Incandescent	28	.04A	7,000
46N-2112	46RN-2112	Green	Neon	125	1/3W	25,000
46HN-2112	46HRN-2112	Green	Neon	250	1/3W	25,000
46NG1-2112	46RNG1-2112	Green	Incandescent	6	.20A	5,000
46NG3-2112	46RNG3-2112	Green	Incandescent	14	.10A	10,000
46NG18-2112	46RNG18-2112	Green	Incandescent	28	.04A	7,000
46N-2113	46RN-2113	Amber	Neon	125	1/3W	25,000
46HN-2113	46HRN-2113	Amber	Neon	250	1/3W	25,000
46NG1-2113	46RNG1-2113	Amber	Incandescent	6	.20A	5,000
46NG3-2113	46RNG3-2113	Amber	Incandescent	14	.10A	10,000
46NG18-2113	46RNG18-2113	Amber	Incandescent	28	.04A	7,000
46N-2114	46RN-2114	Blue	Neon	125	1/3W	25,000
46HN-2114	46HRN-2114	Blue	Neon	250	1/3W	25,000
46NG1-2114	46RNG1-2114	Blue	Incandescent	6	.20A	5,000
46NG3-2114	46RNG3-2114	Blue	Incandescent	14	.10A	10,000
46NG18-2114	46RNG18-2114	Blue	Incandescent	28	.04A	7,000
46N-2115	46RN-2115	White	Neon	125	1/3W	25,000
46HN-2115	46HRN-2115	White	Neon	250	1/3W	25,000
46NG1-2115	46RNG1-2115	White	Incandescent	6	.20A	5,000
46NG3-2115	46RNG3-2115	White	Incandescent	14	.10A	10,000
46NG18-2115	46RNG18-2115	White	Incandescent	28	.04A	7,000
46N-2117	46RN-2117	Clear	Neon	125	1/3W	25,000
46HN-2117	46HRN-2117	Clear	Neon	250	1/3W	25,000
46NG1-2117	46RNG1-2117	Clear	Incandescent	6	.20A	5,000
46NG3-2117	46RNG3-2117	Clear	Incandescent	14	.10A	10,000
46NG18-2117	46RNG18-2117	Clear	Incandescent	28	.04A	7,000

**46 Series  
Optional  
Zinc Plated Bezel  
6 to 250 Design Volts  
Neon or  
Incandescent**

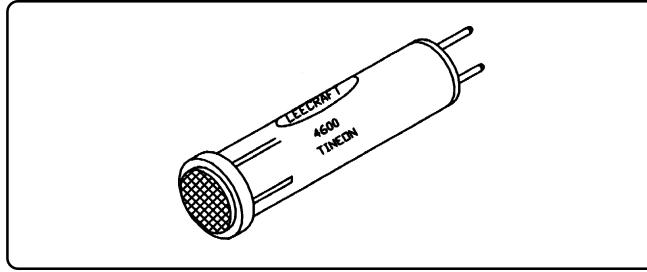


**0.040" Pin Terminals  
Flush Lens  
Variety of  
Lens Colors  
White Housing  
Speednut**

Part Number Without Bezel	Part Number With Zinc Plated Bezel	Lens Color	Lamp Type	Design Volts	Design Watts or Amps	Life (hrs)
46N-2311	46RN-2311	Red	Neon	125	1/3W	25,000
46HN-2311	46HRN-2311	Red	Neon	250	1/3W	25,000
46NG1-2311	46RNG1-2311	Red	Incandescent	6	.20A	5,000
46NG3-2311	46RNG3-2311	Red	Incandescent	14	.10A	10,000
46NG18-2311	46RNG18-2311	Red	Incandescent	28	.04A	7,000
46N-2312	46RN-2312	Green	Neon	125	1/3W	25,000
46HN-2312	46HRN-2312	Green	Neon	250	1/3W	25,000
46NG1-2312	46RNG1-2312	Green	Incandescent	6	.20A	5,000
46NG3-2312	46RNG3-2312	Green	Incandescent	14	.10A	10,000
46NG18-2312	46RNG18-2312	Green	Incandescent	28	.04A	7,000
46N-2313	46RN-2313	Amber	Neon	125	1/3W	25,000
46HN-2313	46HRN-2313	Amber	Neon	250	1/3W	25,000
46NG1-2313	46RNG1-2313	Amber	Incandescent	6	.20A	5,000
46NG3-2313	46RNG3-2313	Amber	Incandescent	14	.10A	10,000
46NG18-2313	46RNG18-2313	Amber	Incandescent	28	.04A	7,000
46N-2314	46RN-2314	Blue	Neon	125	1/3W	25,000
46HN-2314	46HRN-2314	Blue	Neon	250	1/3W	25,000
46NG1-2314	46RNG1-2314	Blue	Incandescent	6	.20A	5,000
46NG3-2314	46RNG3-2314	Blue	Incandescent	14	.10A	10,000
46NG18-2314	46RNG18-2314	Blue	Incandescent	28	.04A	7,000
46N-2315	46RN-2315	White	Neon	125	1/3W	25,000
46HN-2315	46HRN-2315	White	Neon	250	1/3W	25,000
46NG1-2315	46RNG1-2315	White	Incandescent	6	.20A	5,000
46NG3-2315	46RNG3-2315	White	Incandescent	14	.10A	10,000
46NG18-2315	46RNG18-2315	White	Incandescent	28	.04A	7,000
46N-2317	46RN-2317	Clear	Neon	125	1/3W	25,000
46HN-2317	46HRN-2317	Clear	Neon	250	1/3W	25,000
46NG1-2317	46RNG1-2317	Clear	Incandescent	6	.20A	5,000
46NG3-2317	46RNG3-2317	Clear	Incandescent	14	.10A	10,000
46NG18-2317	46RNG18-2317	Clear	Incandescent	28	.04A	7,000

Indicator Lights

**L46 Series  
LED Indicator Lights  
Optional  
Zinc Plated Bezel  
2 to 24 Design Volts  
PressFit Mounting**



**0.040" Pin Terminals  
Hi-Hat or Flush Lens  
Variety of  
Lens Colors  
White Housing  
Speednut**

Part Number With Hi-Hat Lens Without Bezel	Part Number With Hi-Hat Lens & Zinc Plated Bezel	Part Number With Flush Lens Without Bezel	Part Number With Flush Lens & Zinc Plated Bezel	Lens Color	DC Design Volts
L46N-A2-2113	L46RN-A2-2113	L46N-A2-2313	L46RN-A2-2313	Amber	2
L46N-A6-2113	L46RN-A6-2113	L46N-A6-2313	L46RN-A6-2313	Amber	6
L46N-A12-2113	L46RN-A12-2113	L46N-A12-2313	L46RN-A12-2313	Amber	12
L46N-A24-2113	L46RN-A24-2113	L46N-A24-2313	L46RN-A24-2313	Amber	24
L46N-G2-2112	L46RN-G2-2112	L46N-G2-2312	L46RN-G2-2312	Green	2
L46N-G6-2112	L46RN-G6-2112	L46N-G6-2312	L46RN-G6-2312	Green	6
L46N-G12-2112	L46RN-G12-2112	L46N-G12-2312	L46RN-G12-2312	Green	12
L46N-G24-2112	L46RN-G24-2112	L46N-G24-2312	L46RN-G24-2312	Green	24
L46N-R2-2111	L46RN-R2-2111	L46N-R2-2311	L46RN-R2-2311	Red	2
L46N-R6-2111	L46RN-R6-2111	L46N-R6-2311	L46RN-R6-2311	Red	6
L46N-R12-2111	L46RN-R12-2111	L46N-R12-2311	L46RN-R12-2311	Red	12
L46N-R24-2111	L46RN-R24-2111	L46N-R24-2311	L46RN-R24-2311	Red	24
L46N-Y2-2116	L46RN-Y2-2116	L46N-Y2-2316	L46RN-Y2-2316	Yellow	2
L46N-Y6-2116	L46RN-Y6-2116	L46N-Y6-2316	L46RN-Y6-2316	Yellow	6
L46N-Y12-2116	L46RN-Y12-2116	L46N-Y12-2316	L46RN-Y12-2316	Yellow	12
L46N-Y24-2116	L46RN-Y24-2116	L46N-Y24-2316	L46RN-Y24-2316	Yellow	24

**Polarity Determination - Pin Terminals:** One pin terminal is tin plated to denote anode (+); one pin terminal is unplated to designate the cathode (-).

