

53 SERIES

- T-1-3/4 & T-2 SUBMINIATURE WEDGE LAMPHOLDERS
- NON-GROUNDED OR GROUNDED LAMPHOLDERS
- 6" WIRE LEADS, PRINTED CIRCUIT BOARD OR SOLDER LUG TERMINALS
- BLACK NYLON HOUSING
- MAXIMUM RATINGS: 10 WATTS, 28 VOLTS

Overview

53 Series lampholders are constructed with a nylon housing and 6" wire leads, solder lug terminals or printed circuit board terminals. Most lampholders can be supplied as either non-grounded or grounded units. Non-grounded units are supplied with two solder lug terminals, printed circuit board terminals or two wire leads. Grounded units are supplied with one solder lug terminal or one wire lead, unless otherwise noted. Many bracket and mounting options are available including plug buttons for 5/8" mounting holes, an integral 0.381" plug button and 11/32" twist and lock socket. Lampholders are designed for use in low voltage applications with T-1-3/4 or T-2 wedge base lamps.

Specifications

Housing: black nylon.

Terminals:

Solder lug: brass, 7/64" length x 1/64" thick with one wire hole containing a 0.050" x 0.090" slot. Non-grounded units are supplied with two terminals. Grounded units are supplied with one terminal.

Printed circuit board terminals: electro-tinned brass.

Wire leads: 6" Leads: #22 AWG, black, stranded tinned copper, UL/CSA rated 105°C, stripped 1/2". Non-grounded units are supplied with two 6" wire leads. Grounded units are supplied with one 6" wire lead. Custom wire lengths, stripping, termination and wire types are also available.

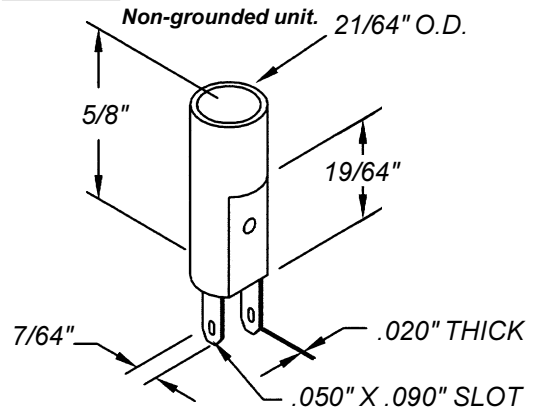
Mounting:

Brackets: 0.025" to 0.032" zinc plated steel. Custom brackets and plating types are available.

Plug buttons: 5/8" mounting hole or 0.381" mounting hole. **Twist & Lock:** 11/32" mounting hole.

Maximum rating: 10 Watts, 28 Volts.

For grounded terminal unit: **53-07N-1.** **53-07N**

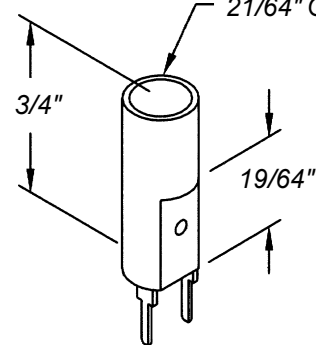


For wire leads:

Non-grounded unit: **53-207N.**

Grounded unit: **53-207N-1.**

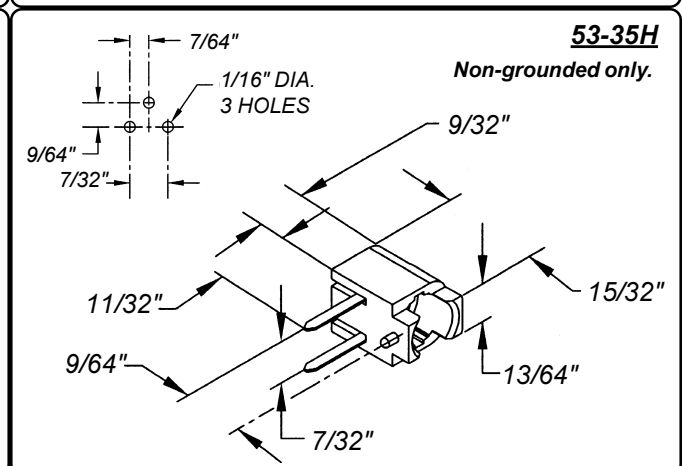
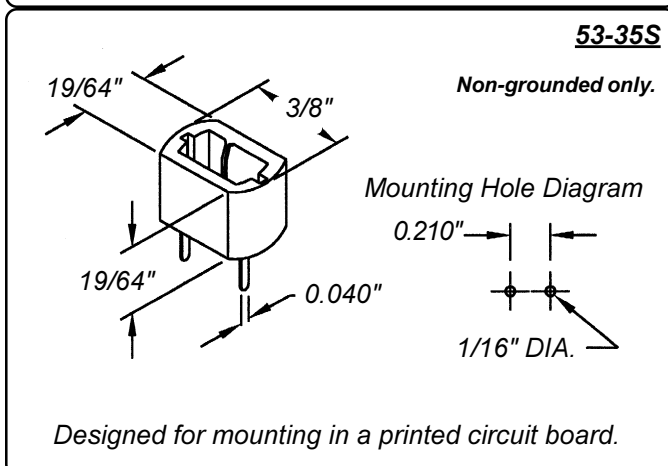
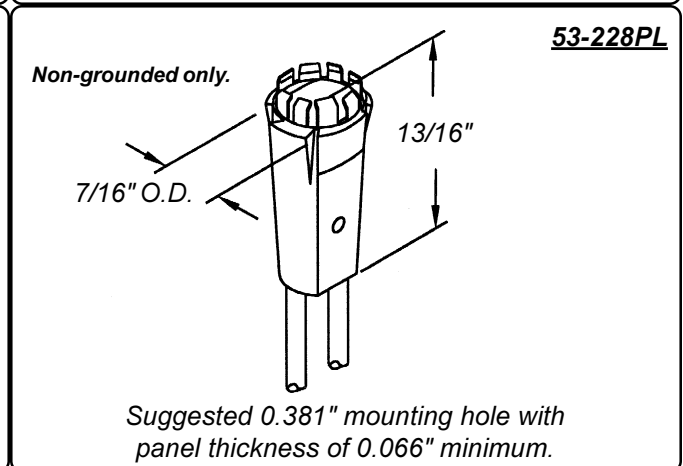
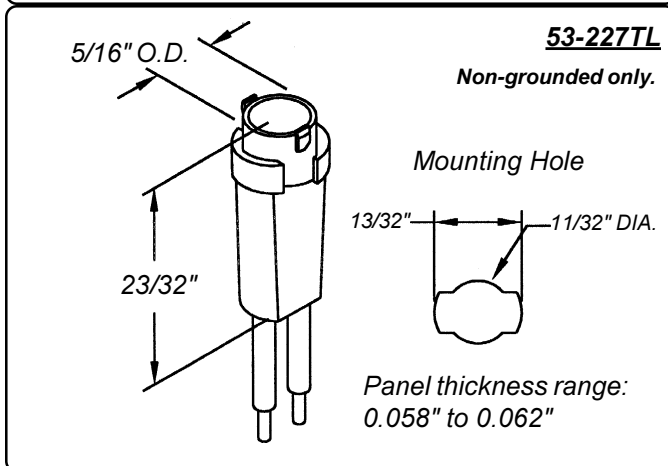
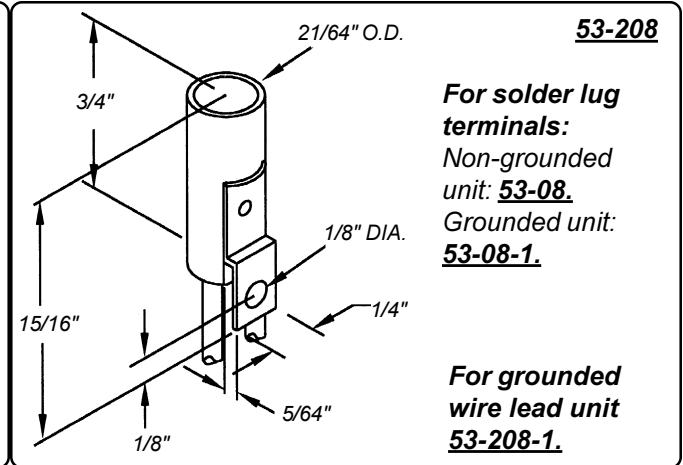
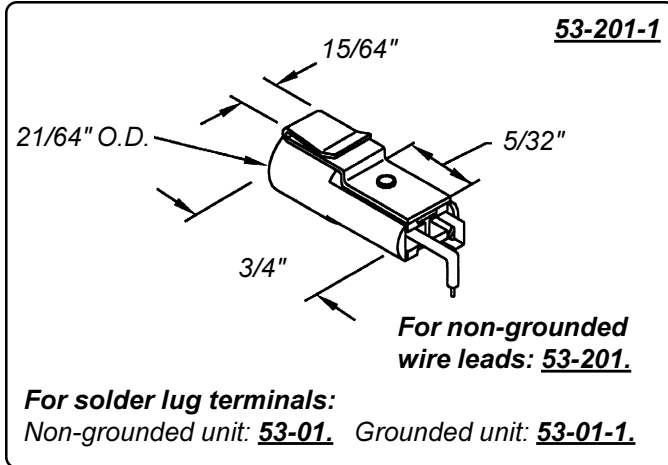
Non-grounded only. **53-35**



Designed for mounting on a printed circuit board with two 0.070" holes spaces 0.215" apart.

53 Series
Maximum Rating: 10 Watts, 28 Volts
Non-Grounded or Grounded

Black Nylon Housing
Solder Lug Terminals, 6" Wire Leads
or Printed Circuit Board Terminals



53 Series
Maximum Rating: 10 Watts, 28 Volts
Non-Grounded or Grounded

Black Nylon Housing
Solder Lug Terminals, 6" Wire Leads
or Printed Circuit Board Terminals

Lampholders

