

55 SERIES

- INTERMEDIATE SCREW NON-GROUNDED LAMPHOLDERS
- BLACK POLYESTER HOUSING • 6" WIRE LEADS
- MAXIMUM RATINGS: 75 WATTS, 250 VOLTS
- UL RECOGNIZED • UL FILE E28536

Overview

The 55 Series lampholders are constructed with a black polyester housing and two 6" wire leads. Lampholders are non-grounded. Many bracket and mounting options are available. Lampholders are designed for use with intermediate screw lamps.

Specifications

Housing: black polyester.

Contacts: brass.

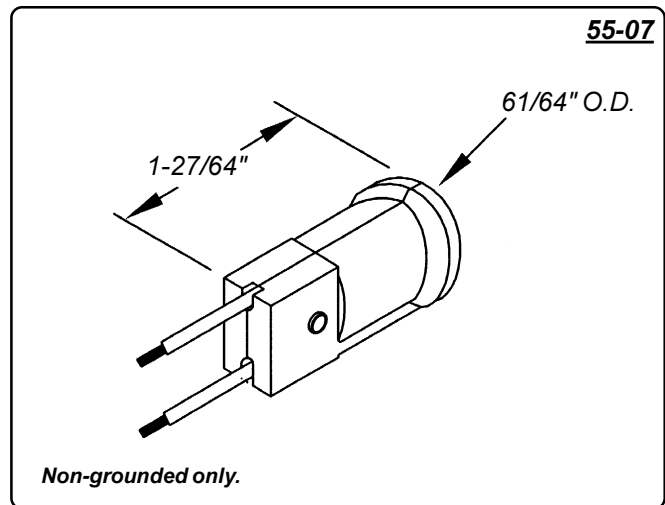
Wire leads:

6" leads: #18 AWG, black & white, bare copper, PVC insulated, UL/CSA rated 105°C, stripped 1/2". Non-grounded units are supplied with two 6" wire leads. Custom wire lengths, stripping, termination and wire types are also available.

Mounting:

Brackets: .025" to .042" zinc plated steel. Custom brackets and plating types are available.

Maximum rating: 75 Watts, 250 Volts.



Can't find it here? We have many more standard and custom solutions.

The items in this catalog are only a small representative sample of the complete LC&D-Leecraft product line. We manufacture many additional products which are not shown in this catalog due to space constraints.

Custom products can also be designed uniquely for you by our Technical Support Professionals. Starting from your ideas and specifications, we work with your personnel to develop timely and cost effective solutions for your miniature lighting needs.

LC&D Technical Support Services are provided without charge, and may include designs, prototypes and pre-production samples.

For further information phone Customer Service at 954-425-0123 or complete the "Fast FAX Technical Support Inquiry" form located in the Appendix, page A-1.

55 Series
UL Recognized
Maximum Rating: 75 Watts, 250 Volts

Black Polyester Housing
6" Wire Leads
Non-Grounded

