

57 SERIES

- **DOUBLE CONTACT CANDELABRA BAYONET NON-GROUNDED LAMPHOLDERS**
- **6" WIRE LEADS OR 1/4" TAB TERMINALS • BLACK POLYESTER HOUSING**
- **MAXIMUM RATING: 75 WATTS, 125 VOLTS**
- **UL AND CSA LISTED • UL FILE E20356 • CSA FILE LR 15284-25**

Overview

The 57 Series lampholders are constructed with a black polyester housing and two 1/4" tab terminals or two 6" wire leads. Lampholders are non-grounded. Many bracket and mounting options available. Lampholders are designed for use double contact candelabra bayonet lamps.

Specifications

Housing: black polyester.

Terminals:

1/4" tab: beryllium cooper, tin plated 1/4" length x 0.032" thick. Non-grounded units are supplied with two terminals.

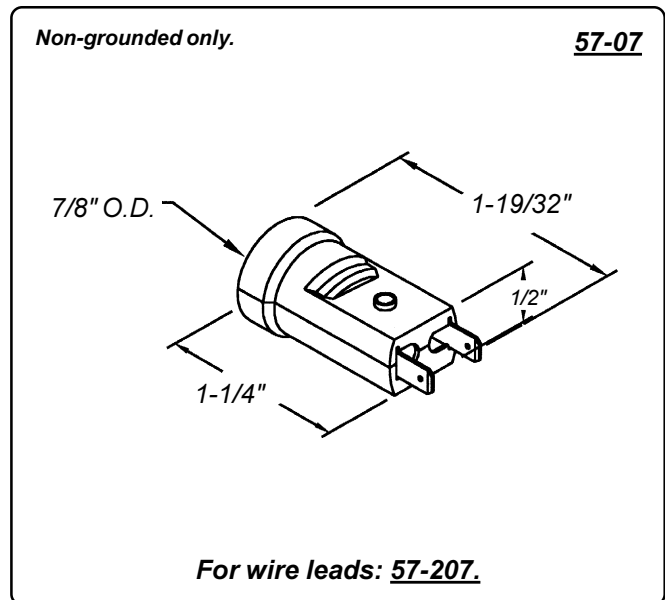
Wire leads:

6" Leads: #18 AWG, black, bare copper, PVC insulated, UL/CSA rated 105° C, stripped 1/2". Non-grounded units are supplied with two 6" wire leads. Custom wire lengths, stripping, termination and wire types are also available.

Mounting:

Brackets: .025" to .042" zinc plated steel. Custom brackets and plating types are available.

Maximum rating: 75 Watts, 125 Volts.



Can't find it here? We have many more standard and custom solutions.

The items in this catalog are only a small representative sample of the complete LC&D-Leecraft product line. We manufacture many additional products which are not shown in this catalog due to space constraints.

Custom products can also be designed uniquely for you by our Technical Support Professionals. Starting from your ideas and specifications, we work with your personnel to develop timely and cost effective solutions for your miniature lighting needs.

LC&D Technical Support Services are provided without charge, and may include designs, prototypes and pre-production samples.

For further information phone Customer Service at 954-425-0123 or complete the "Fast FAX Technical Support Inquiry" form located in the Appendix, page A-1.

57 Series
UL & CSA Listed
Maximum Rating: 75 Watts, 125 Volts

Black Polyester Housing
Non-Grounded
6" Wire Leads or 1/4" Tab Terminals

