

78 SERIES RELAMPABLE INDICATOR LIGHT

- MIDGET WEDGE BASE INDICATOR LIGHTS WITH THREADED HOUSING & HEX NUT
- INCANDESCENT • 6 TO 28 DESIGN VOLTS
- REAR MOUNT INTO 7/16" DIA. MOUNTING HOLE
- DOME OR FLAT CYLINDRICAL LENSES • VARIETY OF LENS COLORS
- SOLDER LUG TERMINALS

Overview

The 78 Series Relampable Midget Wedge Base Indicators feature compact styling and rugged metal construction for alarm systems, medical equipment, control panels and other electronic applications. The flat or dome shaped lenses can be customized with alphanumeric stamping. Indicators lights mount into a 7/16"(11.11mm) mounting hole with a recommended panel thickness of 0.020"(0.5mm) minimum. Minimum centers 23/32" (18.25mm). Supplied with hex nut and lockwasher.

Specifications

Shell: chrome plated brass.

Customized Oil Tight Unit: An oil tight gasket is added to the unit for applications which require an oil tight indicator light. Contact your customer service for more information about this custom feature.

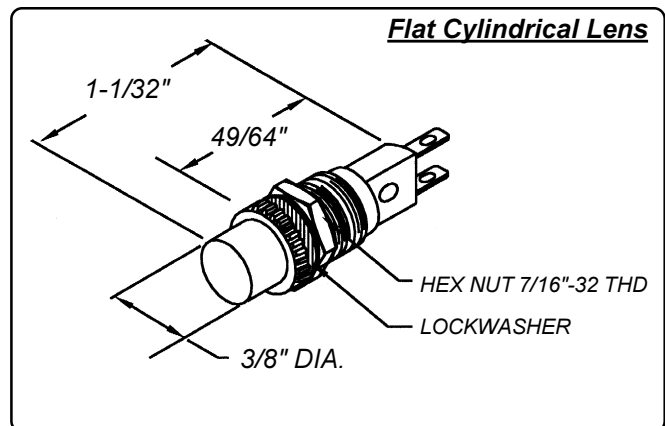
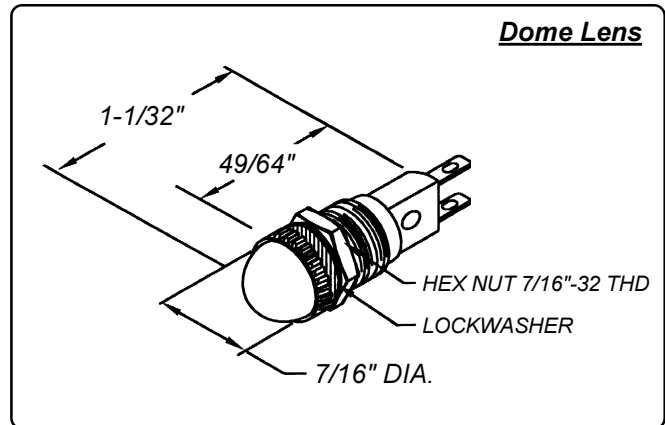
Mounting bushing: nickel plated brass.

Lens: nylon. Alphanumeric custom stamping is available.

Incandescent AC or DC voltage options: 6, 14 and 28 volts.

Terminals:

Solder lugs: brass (7/64" length x 0.020" thick) with one wire hole (3/32" x 1/16" Dia.).



Can't find it here? We have many more standard and custom solutions.

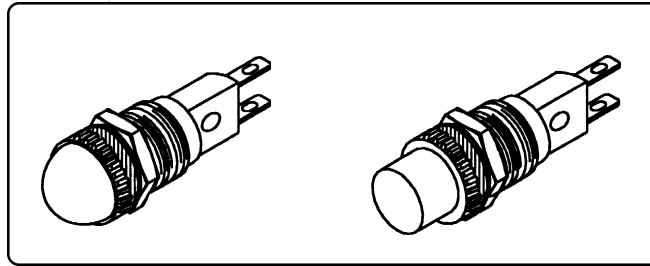
The items in this catalog are only a small representative sample of the complete LC&D-Leecraft product line. We manufacture many additional products which are not shown in this catalog due to space constraints.

Custom products can also be designed uniquely for you by our Technical Support Professionals. Starting from your ideas and specifications, we work with your personnel to develop timely and cost effective solutions for your miniature lighting needs.

LC&D Technical Support Services are provided without charge, and may include designs, prototypes and pre-production samples.

For further information phone Customer Service at 954-425-0123 or complete the "Fast FAX Technical Support Inquiry" form located in the Appendix, page A-1.

**78 Series
Relampable
Rear Mount
7/16" Mounting Hole
Incandescent
6 to 28 Design Volts**



**Solder Lugs
Dome Lens or
Flat Cylindrical Lens
Variety of
Lens Colors
Hex Nut**

Part Number With Dome Lens	Part Number With Flat Cylindrical Lens	Lens Color	Lamp Type	Design Volts	Design Amps	Life (hrs)
78D-V1-51	78F-V1-51	Red	Incandescent	6-7	.20A	50,000
78D-V2-51	78F-V2-51	Red	Incandescent	12-14	.10A	40,000
78D-V3-51	78F-V3-51	Red	Incandescent	24-28	.04A	25,000
78D-V1-52	78F-V1-52	Green	Incandescent	6-7	.20A	50,000
78D-V2-52	78F-V2-52	Green	Incandescent	12-14	.10A	40,000
78D-V3-52	78F-V3-52	Green	Incandescent	24-28	.04A	25,000
78D-V1-53	78F-V1-53	Amber	Incandescent	6-7	.20A	50,000
78D-V2-53	78F-V2-53	Amber	Incandescent	12-14	.10A	40,000
78D-V3-53	78F-V3-53	Amber	Incandescent	24-28	.04A	25,000
78D-V1-55	78F-V1-55	White	Incandescent	6-7	.20A	50,000
78D-V2-55	78F-V2-55	White	Incandescent	12-14	.10A	40,000
78D-V3-55	78F-V3-55	White	Incandescent	24-28	.04A	25,000
78D-V1-56	78F-V1-56	Yellow	Incandescent	6-7	.20A	50,000
78D-V2-56	78F-V2-56	Yellow	Incandescent	12-14	.10A	40,000
78D-V3-56	78F-V3-56	Yellow	Incandescent	24-28	.04A	25,000

Indicator Lights

Can't find it here? We have many more standard and custom solutions.

The items in this catalog are only a small representative sample of the complete LC&D-Leecraft product line. We manufacture many additional products which are not shown in this catalog due to space constraints.

Custom products can also be designed uniquely for you by our Technical Support Professionals. Starting from your ideas and specifications, we work with your personnel to develop timely and cost effective solutions for your miniature lighting needs.

LC&D Technical Support Services are provided without charge, and may include designs, prototypes and pre-production samples.

For further information phone Customer Service at 954-425-0123 or complete the "Fast FAX Technical Support Inquiry" form located in the Appendix, page A-1.