

Overview

The 980 Series non-relampable snap mount indicator lights feature molded plastic flex arms which insure easy front panel installation into a 1/2" diameter hole. This series is designed to snap securely into panel without the use of additional hardware.

Approval

Units with wire leads are U.L. Listed. Units with terminals are U.L. Recognized. All units are CSA Certified.

Specification

Housing: White nylon (standard), black optional, other colors available to special order.

Bezel: Chrome-plated finish standard. Other bezel finishes are available. Bezels are required with lens types 94 (flat square) and 99 (short square). Bezels are optional on all other lens types.

Terminations: Wire leads: Black #18 gauge, PVC plastic insulated. UL-CSA rated at 105°C. 6" +/- 1/2" long, 1/2" stripped. Terminals: Brass, Tin-plated 3/16" quick-connect.

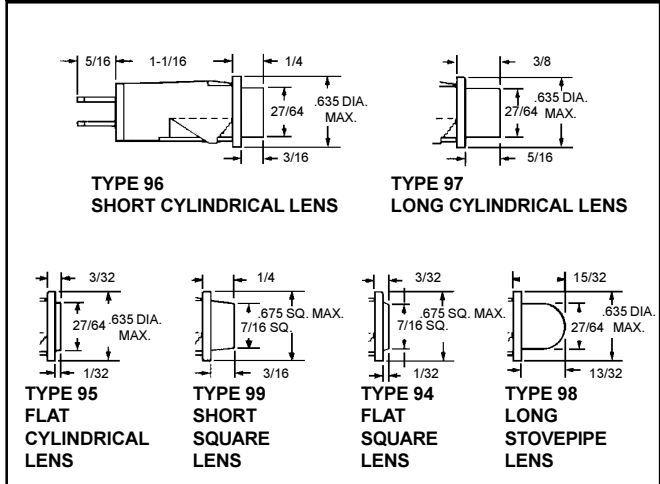
Lens: Heat resistant, high strength polycarbonate. **Lens Marking:** Flat lenses may be stamped. Contact factory.

Mounting: Designed to snap securely into a .500"/.510" diameter hole. Panel thickness ranges from .040" to .100".

Incandescent AC or DC Voltage options: 6 to 28 volts.

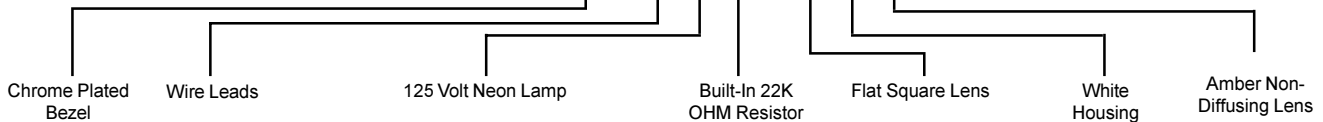
High Brightness Neon AC Voltage options: 125 to 250 volts.

Blue or Green Neon AC or DC Voltage options: 125 to 250 volts.



ORDERING INFORMATION:

EXAMPLE: 981 6 70 A 94 W AN



Series Number	Termination	Lamp				Resistor	Lens Type	Housing Color	Lens Color																		
		Code	Volts	MA	Life (Hrs)																						
980 No Bezel	6 6" Wire Leads	10	6.0	40	10,000	X None (No Resistor required with incandescent lamps)	94 ⁵ Flat Square (Fresnel)	W White (Standard)	Nondiffusing (Clear)																		
		12	6.3	200	5,000				AN Amber																		
981 Chrome Plated Bezel	7 .187" Q.C. Terminals	02	6.3	200	20,000	A 22K OHM T 150K OHM B 30K OHM E 100K OHM	95 Flat Cylindrical (Fresnel)	B Black (Optional)	BN Blue																		
		13	14.0	80	1,500				CN Colorless																		
982 Black Anodized Bezel		NEON (High Brightness)					96 Short Cylindrical (Fresnel)		GN Green																		
		03	14.0	80	15,000				70 ²	125	1/3 W	10,000	71 ²	250	1/3 W	10,000	56 ³	125	1/3 W	10,000	56 ³	250	1/3 W	10,000	57 ⁴	125	1/3 W
983 Clear Anodized Bezel							97 Long Cylindrical (Fresnel)		RN Red																		
										98 Long Stovepipe (Fresnel)		WN White (Cloudy)															
984 Gold Iridite Bezel							99 ⁶ Short Square (Fresnel)					YN Yellow															

² Standard Neon. Use with lens colors AN, CN, RN, WN, or YN.
³ Green Neon. Use with lens colors CN, GN, or WN.
⁴ Blue Neon. Use with lens colors BN, CN, or WN.
⁵ Bezel Required.