

MLH SERIES

- RECESSED SINGLE-CONTACT DOUBLE ENDED NON-GROUNDED LAMPHOLDERS
- HEAT RESISTANT CERAMIC HOUSING • UL RECOGNIZED • UL FILE E20356
- QUARTZ HALOGEN MAXIMUM RATING: 2000 WATTS, 600 VOLTS
- METAL HALIDE MAXIMUM RATING: 150 WATTS, 5KV PULSE
- HIGH PRESSURE SODIUM MAXIMUM RATING: 150 WATTS, 5KV PULSE

Overview

The MLH Series lampholders are constructed with a high heat resistant ceramic housing and one 18" wire lead. Lampholders are designed for use with recessed single-contact double ended metal halide, high pressure sodium or quartz halogen lamps. Lampholders are non-grounded and are supplied with one 18" wire lead. Note: Two lampholders are required for use with each lamp.

Specifications

Housing: ceramic.

Contact: silver plated copper.

Wire leads:

18" wire lead: #18 AWG, black, teflon, nickel plated copper, UL approved, UL1659, rated 600 volts, 250° C, stripped 1/2". Non-grounded units are supplied with one 18" wire lead. Custom wire lengths, stripping, termination and wire types are also available.

Maximum rating:

Quartz halogen: 2000 Watts, 600 Volts.

Metal halide: 150 Watts, 5KV pulse rated.

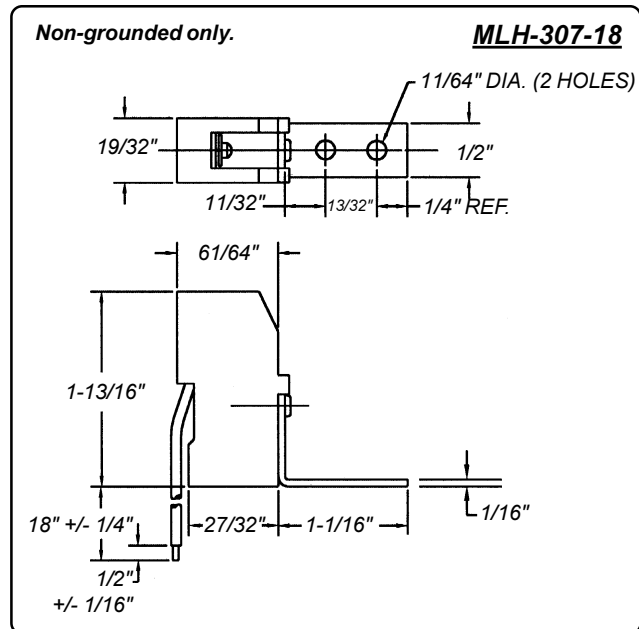
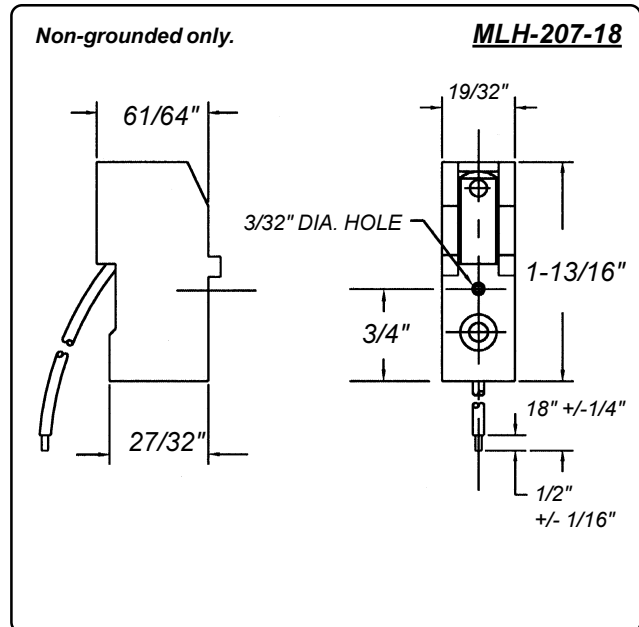
High pressure sodium: 150 Watts, 5KV pulse rated.

Mounting:

Brackets: .025" to .032" zinc plated steel. Custom brackets and plating types are available.

Can't find it here? We have many more standard and custom solutions.

For information phone Customer Service at 954-425-0123 or complete the "Fast FAX" form on Appendix, page A-1.



**MLH Series • Non-Grounded
Metal Halide & High Pressure Sodium
Max. Rating: 150 Watts, 5KV Pulse**

**UL & CSA Recognized
Quartz Halogen Max. Rating:
2000 Watts, 600 Volts**

Lampholders

